



Instruction Manual for
Digital Alarm Thermohygrometer
Model SK-5600TRH

Read this manual thoroughly before use, and keep it for future reference.

Important Notices



Beware of Explosion

SK-5600TRH is not explosion-proof. Never use it in flammable gas environments.



Cautions

To use SK-5600TRH properly, follow the instructions below.

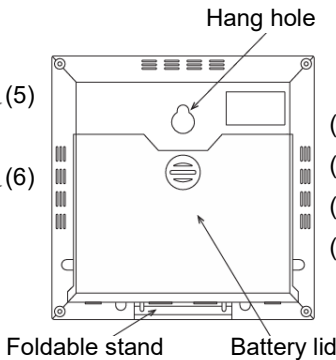
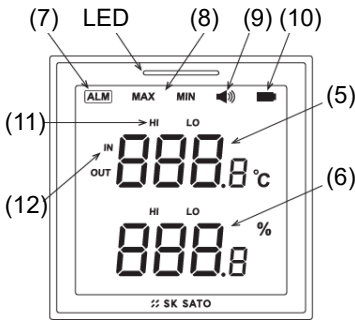
- Do not use the device as a clinical thermometer.
- Do not drop, vibrate, or subject the device to shock, as it is a precision instrument.
- Do not forcibly pull, bend, bind, heat, or apply pressure to the external probe.
- Do not use the device outside the specified measuring range.
- The device is not waterproof. Do not expose it to water. The sensing part of the probe has IPX5 protection; however, it is not designed for underwater use.
(IPX5: Resistant to water jets at room temperature)
- If condensation forms, remove the batteries immediately and allow the device to dry at room temperature before reuse.
- Do not use the device in direct sunlight or near heat sources.
- Do not leave the device in places such as a car on a hot day. Excessive heat may damage the device.
- Do not clean the device with alcohol, thinner, or other organic solvents. If it becomes dirty, wipe it with a tightly wrung cloth dampened with warm water and a neutral detergent.
- Measuring accuracy and stability may deteriorate near sources of electrical noise.
- Use only in a normal atmospheric environment. Exposure to dusty, alcoholic, or salty air, or air containing organic solvents, VOCs, oil mists, or corrosive gases may deteriorate the humidity sensor.
- For storage or transport, use the original packaging. Bubble wrap, plastic bags, or antistatic bags (typically blue or pink) may damage the humidity sensor membrane.
- Do not disassemble or modify the device, as this may cause malfunction.
- For repair or calibration, or if the device is damaged before use, contact us or the retailer from which the device was purchased.

Overview

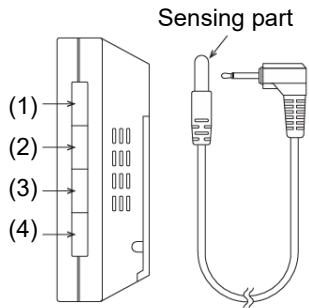
- Displays temperature (internal or external) and humidity.
- Stores and displays maximum and minimum values.
- Provides audible and visual alerts when preset thresholds are exceeded.
- Equipped with a hang hole and a foldable stand.
- Powered by AA batteries or via USB-C.

Names of Sections

Indicator




External Probe



Operation Keys

- (1) In/Out▲ key: Switches internal/external temperature; increases values
- (2) Max/Min▼ key: Displays maximum/minimum data; decreases values
- (3) Mode key: Starts alarm setting and confirms settings
- (4) Clear key: Clears maximum/minimum data or alarm logs

Indication

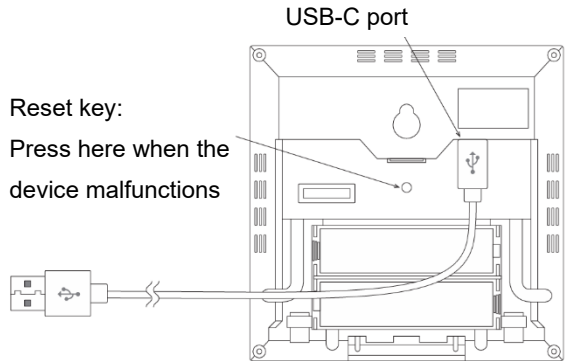
- (5) Internal/external temperature
- (6) Internal humidity
- (7) Alarm sign **ALM** lights when enabled
- (8) “MAX” or “MIN” is displayed when showing stored maximum/minimum values
- (9) Speaker sign  lights when enabled
- (10) Battery indicator lights when battery is low
- (11) “Hi” and/or “Lo”: See [Alarm Indicators](#)
- (12) “IN” or “OUT” indicates temperature source

Battery Replacement

Install batteries before first use or when the battery indicator appears.

1. Slide the battery lid down.
2. Remove old batteries, if present.
3. Insert two new AA batteries with correct polarity.
4. Close the lid securely.
5. USB power can also be used. Ensure the cable is not pinched by the lid.

Maximum and minimum values are reset after battery replacement, but alarm settings are retained.

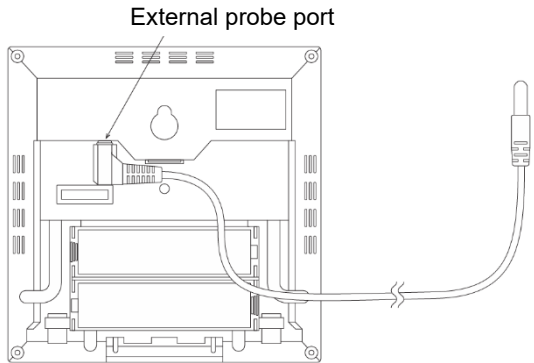


Battery Safety Cautions

- Use new batteries of the same type.
- Remove batteries if the device will not be used for an extended period to prevent leakage.
- Do not heat, disassemble, short-circuit, solder, or dispose of batteries in fire.
- If battery fluid leaks and contacts skin or clothing, rinse with water. If it contacts eyes, rinse immediately and seek medical attention.
- Keep batteries out of reach of children. If swallowed, seek medical attention immediately.
- Dispose of batteries according to local regulations.

Measurement

1. Connect the external probe if needed before inserting batteries. Ensure the cable fits properly in the groove and is not pinched.
2. Insert batteries to power on, referring to [Battery Replacement](#).
3. Wait at least 30 minutes for stabilization.



4. Internal temperature is displayed on the upper side of the screen when no probe is connected; external temperature is displayed instead when the probe is connected. Press the In/Out ▲ key to switch them. Humidity is displayed in the lower section of the screen. Values update every 10 seconds.
5. Press the Max/Min ▼ key to toggle display:
Current values → Maximum values → Minimum values → ...

Note: Maximum and minimum values are reset after battery replacement, when the Reset key is pressed, or if the Clear key is pressed for 2 seconds while the maximum or minimum values are indicated.

Alarm Function

If a measured value exceeds the high alarm threshold or falls below the low alarm threshold, the LED blinks and the speaker operates for 30 seconds or until the Clear key is pressed. To set alarms:

1. Press the Mode key during the measurement.
2. Adjust values using the Max/Min ▼ or In/Out ▲ keys.
3. Press the Mode key again to confirm and proceed to the next item.
4. Press the Clear key to exit the setting mode.

Pressing the Mode key cycles through the following settings:

High alarm for internal temperature ON/OFF

→ Adjust it between -10.0 and 50.0°C

→ Low alarm for internal temperature ON/OFF

→ Adjust it between -10.0 and 50.0°C

→ High alarm for humidity ON/OFF

→ Adjust it between 5.0 and 95.0%rh

→ Low alarm for humidity ON/OFF

→ Adjust it between 5.0 and 95.0%rh

→ High alarm for external temperature ON/OFF

→ Adjust it between -50.0 and 70.0°C

→ Low alarm for external temperature ON/OFF

→ Adjust it between -50.0 and 70.0°C

→ Speaker volume: “Hi” (larger sound), “Lo” (smaller sound), or “OFF”

→ Return to measurement



Note: All alarms are initially turned off.

Threshold setting is skipped if the corresponding alarm is turned off.

The device returns to measurement mode if no key is pressed for 1 minute.

Alarm settings are retained even when batteries are removed.

Alarm Indicators

- The alarm sign  and the speaker sign  light when enabled.
- When a high or low alarm goes off, the sign of “Hi” or “Lo” flashes for 30 seconds. After that, the sign remains lit as a log until the Clear key is pressed for 2 seconds or the batteries are removed.

Troubleshooting

Error message	Definition	Solution
“Er”	Value is outside the measuring range	Use within the measuring range. If the error occurs within the range, the sensor may be defective. Contact us or the retailer from which the product was purchased.
“Hi”	Value exceeds the measuring range	
“Lo”	Value is below the measuring range	
“Er0”	Internal error	Remove the batteries, wait for a while, then reinsert them.
“Er1”	Sensor signal error	
“Er2”	External probe or indicator error	Reconnect the probe if used. If the issue persists, contact us or the retailer.

Warranty Policy

This product is warranted to be free from defects for one year from the date of delivery. If repair is required during this period, return the product with prepaid shipping. Repairs will be free of charge unless the defect results from misuse, force majeure, or transportation not arranged by us. The cause of defects shall be determined solely by us.

Out-of-warranty repairs are available for a fee upon request.

Kindly obtain authorization before returning the product.

For details, contact us or the retailer from which the product was purchased.

SK SATO

Sato Keiryoki Mfg. Co., Ltd.

3-4, Kanda-kajicho, Chiyoda-ku, Tokyo 101-0045, Japan

<https://www.sksato.co.jp/en/>

Specifications

Product name	Digital Alarm Thermohygrometer Model SK-5600TRH	
Catalog no.	8610-00	
	Temperature	Humidity
Measuring range	Internal: -10.0 to 50.0°C External: -50.0 to 70.0°C	Internal: 5.0 to 95.0%rh
Accuracy	±0.5°C (20.0 to 30.0°C) ±1°C (0.0 to 19.9°C, 30.1 to 40.0°C) ±2°C (other)	±3%rh (40 to 70%rh, 20 to 30°C) ±7%rh (other)
Resolution	0.1°C	0.1%rh
Response time	Approx. 10 seconds	
Detector	Internal: Semiconductor External: Thermistor	Capacitive humidity sensor
Alarm range	Available in steps of 0.1°C within the measuring range	Available in steps of 0.1%rh within the measuring range
Operating ambient	-10 to 50°C, less than 95%rh without condensing	
Storage ambient	0 to 50°C without condensing	
Power	AA alkaline battery x2 or USB-C power input (5 VDC / 0.5 A)	
Battery life	Approx. 1 year if alarms are not activated and the external probe is not used. The attached testing batteries may have a shorter lifespan.	
Material	Indicator: ABS resin, acrylic resin, silicone rubber (LED) External probe: SUS304 (sensing part), PVC (cable)	
Dimensions	Indicator: 100 x 100 x 33 mm (W x H x D) External probe: 5 mm dia. x 3 m long	
Weight	206 g including batteries	
Accessories	AA alkaline battery x2, external probe x1, instruction manual	

Specifications and appearance are subject to change for improvement.

Visit our website <https://www.sksato.co.jp/en/> for the latest information.