

Instruction manual Optional Temperature Probes for SK-L200T II Datalogger

Thank you for purchasing the SK-LT II series optional probes.

This product is designed to measure temperature connecting with SK-L200T II Datalogger.

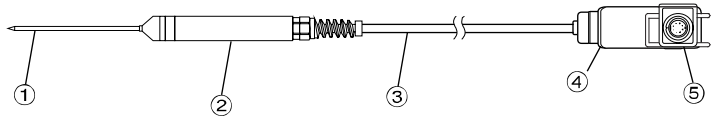
Do not use it for other purposes.

Read this manual carefully before using. Keep the manual in a safe place for future reference whenever necessary.

Names of Parts

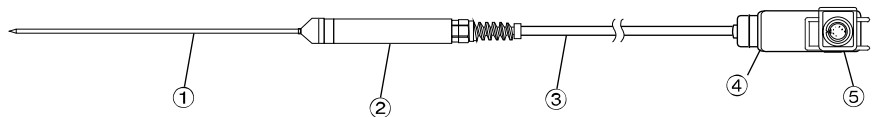
1. Model SK-LT II -7 Probe

- (1) Sensing stem
- (2) Grip
- (3) Sensor cord
- (4) Sensor unit
- (5) Connector



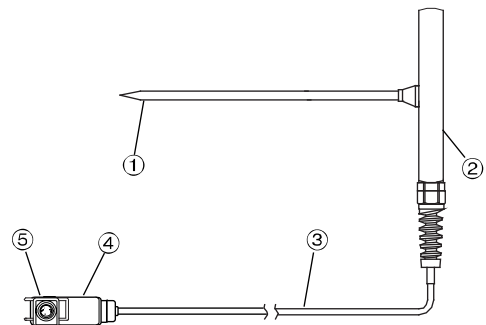
2. Model SK-LT II -8 Probe

- (1) Sensing stem
- (2) Grip
- (3) Sensor cord
- (4) Sensor unit
- (5) Connector



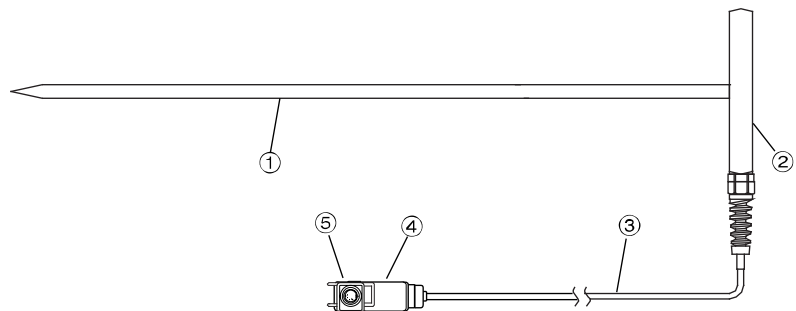
3. Model SK-LT II -9 Probe

- (1) Sensing stem
- (2) Grip
- (3) Sensor cord
- (4) Sensor unit
- (5) Connector



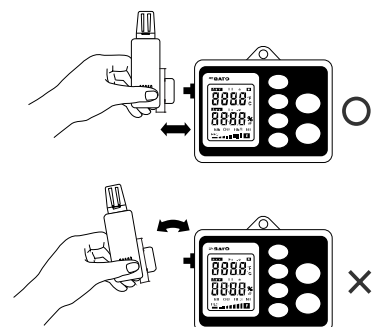
4. Model SK-LT II -10 Probe

- (1) Sensing stem
- (2) Grip
- (3) Sensor cord
- (4) Sensor unit
- (5) Connector



Installing Probes

- . Install the temperature probe as the figure:
- . Push the sensor unit into the connector until you hear a "click".
- . To remove the probe, pull it straight toward you in the reverse direction of the installation. Never rotate the sensor while pulling.



Safety Precautions

To use the probes safely, follow the precautions below.

- The Sensor unit is not waterproof. Do not let these get wet.
- Never drop the probe or knock it over.
- Measuring temperatures outside the measurable range may result in sensor malfunction.
- Never disassemble or modify the sensors. Doing so may cause a malfunction.
- Do not modify, forcibly pull, bend or tie the sensor cord. Placing heavy objects on the sensor cord or heating it will also damage the cord.
- It is desirable not to use SK-LT II -9 and SK-LT II -10 probes with foods.
- The tip of SK-LT II -7, SK-LT II -9 and SK-LT II -10 probes is tapered to be easily inserted into the object to be measured. Be careful when handling it not to get hurt.

Specifications

Model name	SK-LT II -7 for high temperature	SK-LT II -8 for high temperature	SK-LT II -9 for soil temperature	SK-LT II -10 for compost temperature
Sensor	Thermistor			
Measuring range	-40 to 200.0°C		-15 to 65.0°C	-40 to 105.0°C
Accuracy				
at -40 to -16°C	±2°C	±2°C	-----	±2°C
at -15 to -10°C	±2°C	±2°C	±2°C	±2°C
at -9.9 to 14.9°C	±1.0°C	±1.0°C	±2°C	±2°C
at 15.0 to 35.0°C	±0.5°C	±0.5°C	±0.6°C	±0.6°C
at 35.1 to 65.0°C	±(1.2%rdg+0.2)°C	±(1.2%rdg+0.2)°C	±2.0°C	±2.0°C
at 65.1 to 105.0°C	±(1.2%rdg+0.2)°C	±(1.2%rdg+0.2)°C	-----	±2.0°C
at 105.1 to 200.0°C	±(1.2%rdg+0.2)°C	±(1.2%rdg+0.2)°C	-----	-----
Shape of stem end	Point end	Round end	Point end	
Demensions				
Sensing part	Ø 3 x L150mm	Ø 3 x L400mm	Ø 5 x L250mm	Ø 8 x L900mm
Grip	Ø 18 x L100mm	Ø 18 x L100mm	Ø 14 x L100mm	Ø 14 x L100mm
Cord Length	1.5m	1.5m	4.8m	4m
Sensor unit	W25xH62xD20mm	W25xH62xD20mm	W25xH62xD20mm	W25xH62xD20mm
Weight	About 102g	About 104g	About 252g	About 431g
Materials				
Sensing part	SUS304	SUS304	SUS304	SUS304
Grip	Polyaxetor resin	Polyaxetor resin	SUS303	SUS303
Cord Length	PVC resin	PVC resin	PVC resin	PVC resin
Sensor unit	ABS resin	ABS resin	ABS resin	ABS resin
Waterproofness	JIS C 0920 (equivarent to IP X5 rated). Sensor unit is not waterproof construction			

SATO KEIRYOKI MFG. CO., LTD.

No. 3, Nishi Fukudacho, Kanda, Chiyodaku,

Tokyo 101-0037 JAPAN

TEL: +81(0)3-3254-8117 FAX: (0)3-3254-8123

URL: <http://www.sksato.co.jp/english/>