

Instruction Manual for Bimetal Thermometers

Thank you for purchasing Bimetal Thermometer.

- This product is designed to measure temperature. Do not use it for other purposes.
- Read this manual thoroughly before using the bimetal thermometer. Keep the manual in a safe place for future references whenever necessary.

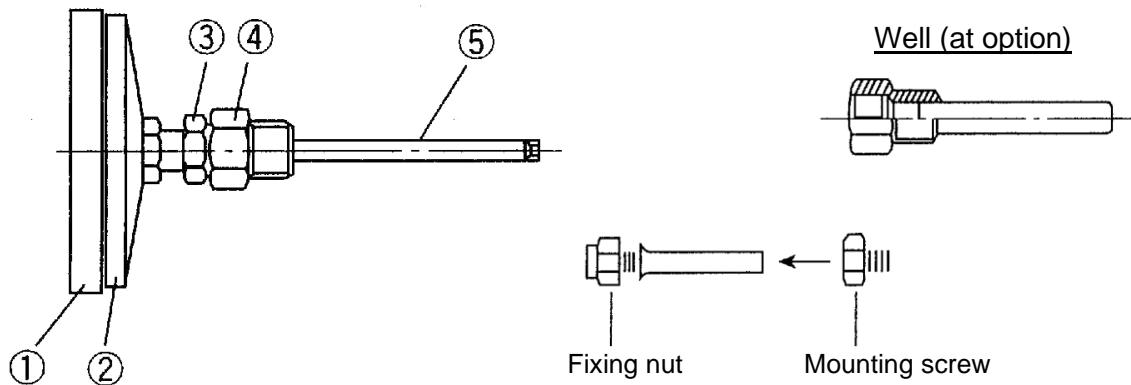
Measurements

1. Remove the packing materials (Stylophorum and plastic bag)
2. Confirm that the bimetal thermometer has been produced as per your order such as measuring range, stem length, standard of the screw and etc.
3. Check the indicated temperature value in the normal temperature.
4. Remove the mounting screw and fix it at the place where you install the thermometer.
Be sure to secure the screw.
5. Confirm that the packing ring is placed between fixing nut and mounting screw.
Otherwise the object measured may leak out.
6. Insert the sensing stem into the object measured and tighten the stem with fixing nut.

Specifications

Accuracy : ± 1 graduation

Name of Section (example: Model BM-T-100P)

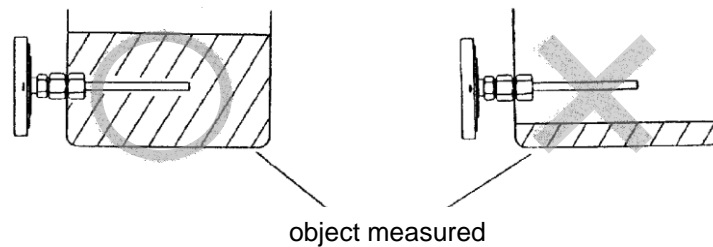


| No. | Parts name | Materials |
|-----|----------------|----------------------|
| 1. | Lid | Polyamide (PA) resin |
| 2. | Case | Polyamide (PA) resin |
| 3. | Fixing nut | C3604BD |
| 4. | Mounting screw | C3604BD |
| 5. | Sensing stem | C2700T |
| | Window | Glass |

Precautions

For safety and proper use of the bimetal thermometer, be sure to observe the following:

- Properly insert the sensing stem into the object. Otherwise, the correct measurement is not obtained.



- In the following cases, use a well (option) for protecting sensing stem.
 - a. The liquid to be measured is more than 50°C.
 - b. Sensing stem gets pressure with more than 5 kg/cm²
(For the case diameter is 75 mm or less, use a well even if the pressure is 2 kg/cm²)
 - c. The object to be measured is corrosive.
- Check regularly that the mounting screw and fixing nut are securely tightened.
- Never disassemble or alter the thermometers, which may cause malfunctions.
- Do not alter, bend or bind the sensing stem, as doing so may break or damage the thermometer.
- To prevent injury, be careful of the sharp tip of the sensing stem especially when cleaning the stem after taking measurements.

Maintenance

For accurate measurements, it is desirable to confirm the accuracy of the bimetal thermometers in comparison with the standard thermometers once a year.

WARRANTY POLICY

Warranty

Our products are warranted to be free from defects in materials and workmanship for a period of **one year** from date of delivery. If repair or adjustment is necessary and has not been the result of abuse or misuse within the **one-year-period**, please return the units on - Freight Prepaid – basis and correction of the defect will be made without charges. We alone will determine if the product problem is due to deviations or customer misuse.

Out-of-warranty products will be repaired on charge basis.

Return of items

Authorization must be obtained from us before returning items for any reason. When applying for authorization, please include data regarding the reasons the items are to be returned.

Please note that we reserve the right to make improvements in design, construction and appearance of our products without notice.

SATO KEIRYOKI MFG. CO., LTD.

3-4, Kanda-kajicho, Chiyoda-ku, Tokyo 101-0045 Japan

URL: <http://www.sksato.co.jp/english/>